

PULL-OUT UNITS





PULL-OUT UNITS FOR PALLET RACKS

More efficient stock handling

The pull-out unit facilitates work during handling of picked goods on pallets. It becomes easier to access the items on the pallet and the function saves storage space.

The pull-out unit is available by default in a beam and a floor version, respectively. The beam model is intended for installation on the horizontal supporting beams in a pallet rack. In the floor version, the pull-out unit is equipped with four supporting feet in order to enable truck handling. The raised handle of the floor model facilitates extension and provides a comfortable working posture.

Reduced strain injuries

Many strain and repetitive strain injuries that are often caused during material handling can be avoided by following a couple of simple measures. The easily accessible goods and the right tool provide the workplace with an ergonomically correct design.

Increased productivity

The pull-out units bring several advantages to stock handling. Picking work becomes easier and productivity increases. The extension function allows the distance between the shelves to be smaller, which means more efficient utilisation of the overall volume of the warehouse.

Weland Pull-out Units

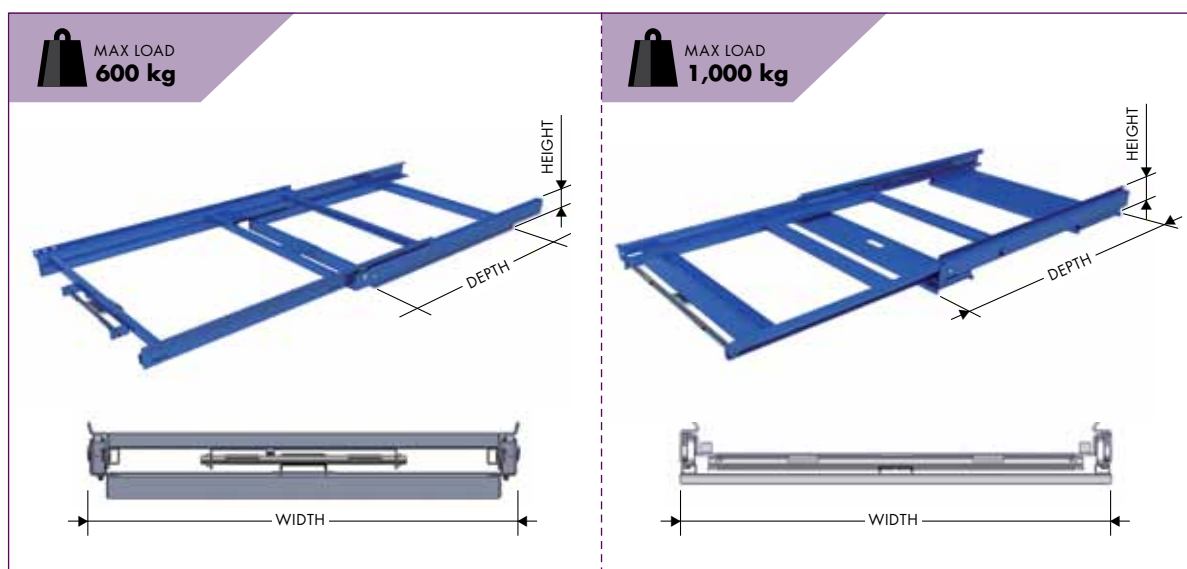
- Extension capacity: 70 %.
- Low design.
- Suitable for most pallet rack models.
- Distributed load: 600 kg per pallet (default).
- The pull-out part is released with a simple handle and is automatically locked in the lowest position.
- Easily manoeuvred, crush-protected locking device.
- Can be ordered as a picking shelf with a covered ceiling or with a sheet metal box customised for a pallet collar.
- Supplied fully assembled, only needs to be mounted on the supporting beams.
- Collision-protected design – no details sticking out.



The picture shows Beam model 600 with a sheet metal box for a pallet collar.



DIMENSIONS AND LOADS



Model	Dimensions W x D x H (mm)	Extension capacity / max load
Beam model 600	824 x 1 200 x 102	70 % extension / 600 kg
Beam model 1 000	890 x 1 200 x 113	70 % extension / 1,000 kg
Floor model 600	864 x 1 200 x 250	70 % extension / 600 kg
Floor model 1 000	890 x 1 200 x 195	70 % extension / 1,000 kg
Accessories		
Standard floor kit, 4 feet and a handle, complete		
Shelf	800 x 1 200	See pull-out units
Sheet metal box	800 x 1 200 x 50	See pull-out units

Default colour – RAL 5002. If other colours and designs are required, request an offer.

Your supplier of vertical storage lifts, pallet racks, cantilever racks and pull-out devices.



24 Anderstorpsvägen, 332 36 Gislaved, Sweden
Telephone +46 (0)371-52 30 40 | Fax +46 (0)371-328 85 | E-mail info@welandlagersystem.se
welandlagersystem.se