

CANTILEVER RACKS





CANTILEVER RACKS FOR ALL TYPES OF WAREHOUSES

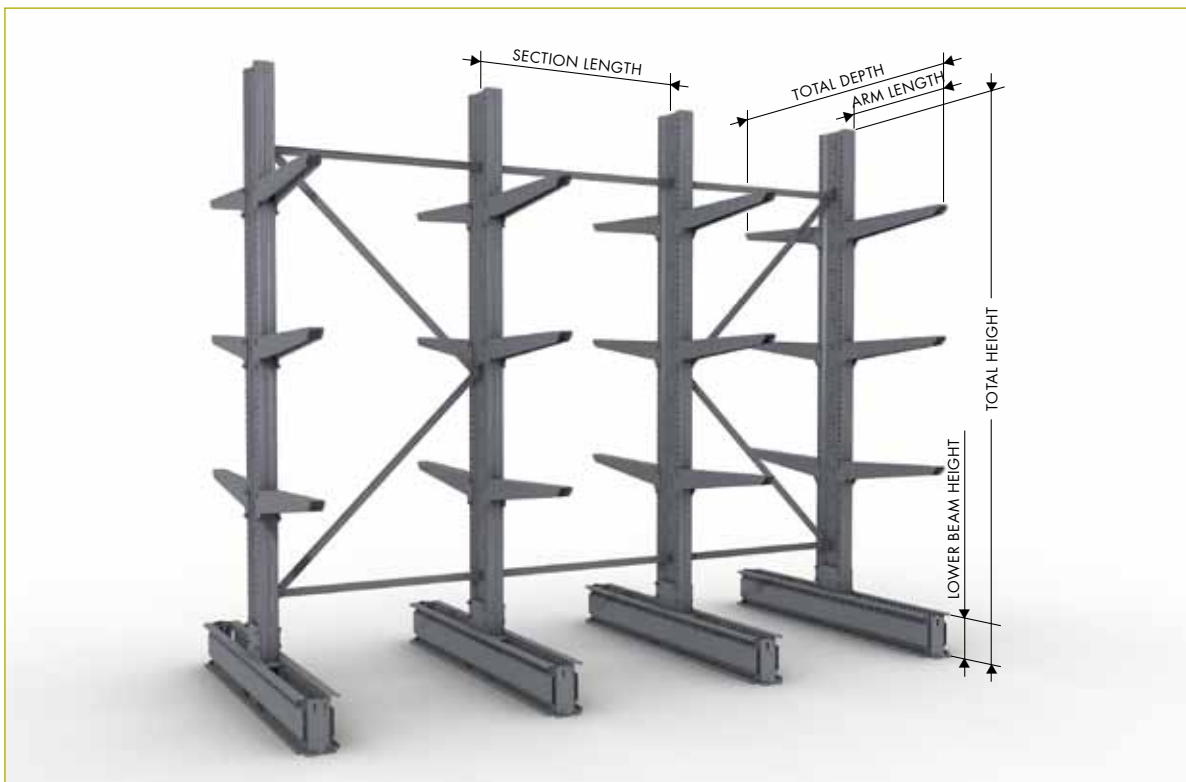
Weland Cantilever Racks are designed to be flexible so they are suitable for all types of warehouse space. In single or double versions, the cantilever racks turn the warehouse into an easy to grasp and easy to operate part of the company's logistics function. Thanks to the variable height and different lengths of the sections and arms, the cantilever racks can be set up to suit the

most changeable conditions. Weland Cantilever Racks are both functional and hardwearing. The cantilever racks are hot-dipped galvanised, which means they are suitable for use both indoors and out. Weland Cantilever Racks meet the requirements of the Nordic standard INSTA 253. Each cantilever rack is delivered with detailed assembly instructions.





DIMENSIONS AND LOADS



Cantilever Rack height: Standard heights: 2 000, 2 600, 3 000, 3 600, 4 000, 4 600, 5 000, 5 600, 6 000 mm, partition 200 mm. We can also produce customer specific heights with 200 mm partition

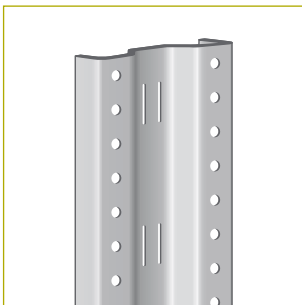
Section lengths: 750–2 350 mm, partition 200 mm

Arm length: 500, 750, 1 000, 1 200, 1 500 and 1 800 mm

Load per arm: 250–2 500 kg

Lower beam height: 200, 300 and 400 mm. Linked to the dimension of the columns

The Cantilever Rack's total depth: 800–4 000 mm. Depending on whether it is single or double rack and the arm length



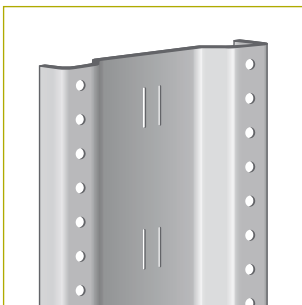
LIGHT CANTILEVER RACK

Height: 2 000, 2 600, 3 000, 3 600, 4 000 mm

Arm length, single/double: 500, 750, 1 000, 1 200 mm

Load/arm: 630, 420, 310, 250 kg

Load/side: 1 500–3 000 kg, depending on the number of arms, arm length and column height



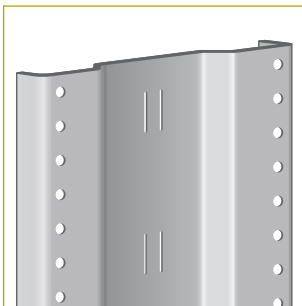
MEDIUM CANTILEVER RACK

Height: 3 000, 3 600, 4 000, 4 600, 5 000, 5 600, 6 000 mm

Arm length, single/double: 500, 750, 1 000, 1 200, 1 500 mm

Load/arm: 2 500, 1 680, 1 260, 1 050, 840 kg

Load/side: 1 500–4 500 kg, depending on the number of arms, arm length and column height



HEAVY CANTILEVER RACKS

Height: 4 000, 4 600, 5 600, 6 000 mm

Arm length, single/double: 1 000, 1 200, 1 500, 1 800 mm

Load/arm: 1 760, 1 470, 1 180, 980 kg

Load/side: 2 500–13 500 kg, depending on the number of arms, arm length and column height



At Weland Lagersystem AB we design, manufacture and market efficient storage systems. Our production and development facilities are located in Gislaved and our main product groups are vertical storage lifts, pallet racks, cantilever racks and pull-out units.

Your supplier of vertical storage lifts, pallet racks, cantilever racks and pull-out units.



24 Anderstorpsvägen, 332 36 Gislaved, Sweden

Telephone +46 (0)371-52 30 40 | Fax +46 (0)371-328 85 | E-mail info@welandlagersystem.se

welandlagersystem.se